



BZ-2RW84-A2



Actual product appearance may vary.

BZ Series Standard Basic Switch, Single Pole Double Throw Circuitry, 15 A at 125 Vac, Straight Lever Actuator, 0,28 N [1 oz] Maximum Operating Force, Silver Contacts, Screw Termination, CE, CSA, DEMKO, UL

Features

- Accepted world-wide standard "Large Basic" switch
- Low operating force and differential travel
- Long mechanical life up to 20,000,000 cycles at 95% survival
- Elongated mounting hole for easier, more accurate mounting
- Current rating ranges from 15 A to 25 A
- Choice of actuation, termination and operating characteristics

Potential Applications

- Irrigation systems
- Semi-trailer trucks
- Timing devices
- Office equipment
- Test instruments
- Medical/dental equipment
- HVAC equipment
- Manually operated devices
- Valves

Description

MICRO SWITCH™ BZ/BA Series standard basic switches are used for simple or precision on/off application needs.

Product Specifications	
Switch Type	MICRO SWITCH™ Standard 25,4 mm H x 17,8 mm W x 50,8 mm L [1.0 in H x 0.7 in W x 2.0 in L]
Sealed	No
Ampere Rating	15 A
Circuitry	Single Pole Double Throw (SPDT)
Actuator	Straight Lever
Termination	Screw
Operating Temperature Range	-55 °C to 85 °C [-67 °F to 185 °F]
Voltage	125 Vac
Approvals	CE, CSA, UL
Actuator Length	63,50 mm [2.50 in]

Contact Type	Silver
Operating Force (O.F.)	0,28 N [1.0 oz] max.
Release Force (R.F.)	0,03 N [0.125 oz] min.
Pretravel (P.T.)	8,33 mm [0.328 in] max.
Overtravel (O.T.)	5,56 mm [0.219 in] min.
Differential Travel (D.T.)	0,18 mm [0.709 in] - 1,27 mm [0.007 in - 0.050 in]
Operating Position (O.P.)	19,1 mm \pm 0,76 mm [0.75 in \pm 0.03 in]
Material	Plastic
Housing Material	General Purpose Phenolic
High Temperature	204 °C [400 °F]
CE mark	61058-1
UL File #	E12252
CSA File #	LR41370
Agency Approvals and Standards	1054
Mounting Screw Size	3,53 mm [0.139 in]
Mounting Centers	25,4 mm [1 in]
Maximum Tightening Torque	0,33 N m [3.0 in lb]
Weight	33,1 g [0.073 lb]
Package Height	24,1 mm [0.95 in]
Package Width	17,5 mm [0.69 in]
Package Length	49,3 mm [1.94 in]
Recommended For	Lower force (without external return spring)
Availability	Global
UNSPSC Code	30211905
UNSPSC Commodity	30211905 Snap switches
Series Name	BZ/BA/WA/YZ

MICRO SWITCH

A DIVISION OF MINNEAPOLIS-HONEYWELL REGULATOR COMPANY
MINNEAPOLIS, MINNESOTA

FED. MFR. CODE 91929

SWITCH - BASIC

CATALOG LISTING

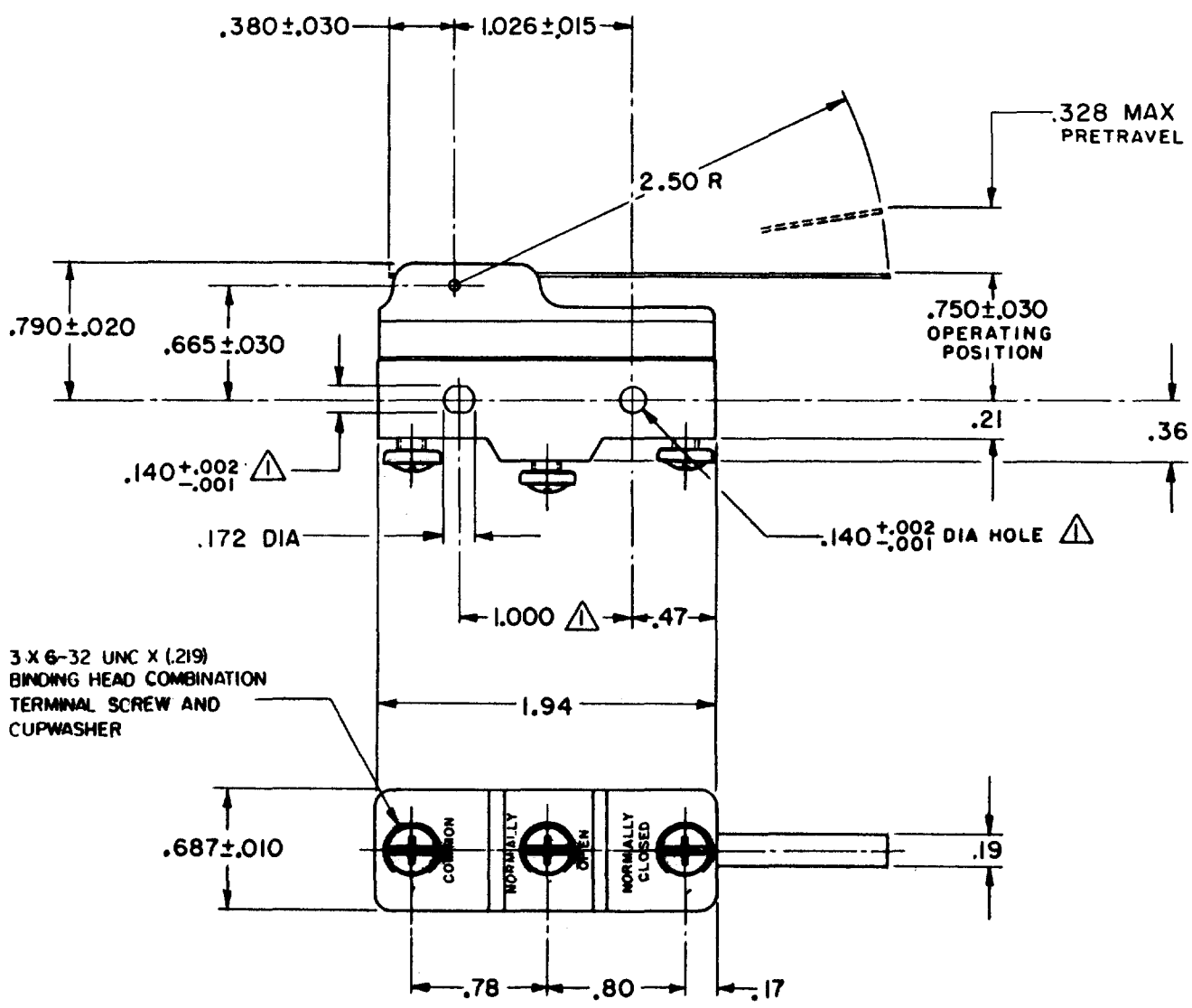
BZ-2RW84-A2

APA6000

BZ-2RW84-A2
 PAGE 1 OF 1
M
 DRAWING NUMBER
8
 ISSUE
 REVISIONS

A	CO	16736
GCH		27 APRIL 62
B	CO	34306
KPK		3 JUN 75
C	CO	73287-C
KDR		21 JUN 93
D	CO	76588
KDR		3 SEP 93
E	CO	77589
MAM		29 MAR 94
F	CO	93346
DLT		11 SEP 98
G	CO	0015139
TSG		23 AUG 05

 CHECK
 23 AUG 05
 14 JUNE 02
 27 APRIL 62
 FORMTEK
 FO-50378
 DRAWN



3 X 6-32 UNC X (.219)
BINDING HEAD COMBINATION
TERMINAL SCREW AND
CUPWASHER

NOTE
 MOUNTING HOLES WILL ACCEPT PINS OR SCREWS
 OF .139 MAX DIA ON 1.000 ± .002 CENTERS

THIS DRAWING COVERS A PROPRIETARY ITEM AND IS THE PROPERTY OF MICRO SWITCH, A DIVISION OF MINNEAPOLIS-HONEYWELL REGULATOR CO. THIS DRAWING IS NOT TO BE COPIED OR USED WITHOUT THE APPROVAL OF MICRO SWITCH.

CHARACTERISTICS	ELECTRICAL DATA	SCALE FULL
OPERATING FORCE----- 1 OZ MAX	CONTACT ARRANGEMENT S P D T	DO NOT SCALE PRINT
RELEASE FORCE----- 1/8 OZ MIN	-L96- 15A-125, 250, OR 480 VAC 1/2 A-125 VDC; 1/4 A-250 VDC 1/8 HP-125 VAC; 1/4 HP-250 VAC -L288- -L306- -L315-	UNLESS OTHERWISE SPECIFIED DIMENSIONS ARE IN INCHES
DIFFERENTIAL TRAVEL----- .007-.050		TOLERANCES ARE: ONE PLACE (.0) ±.030 TWO PLACE (.00) ±.015 THREE PLACE (.000) ±.005 ANGLES ±
OVERTRAVEL----- .219 MIN		CE EN05 EC 16A 250V ~ T85 5E4
		WEIGHT .073 LB